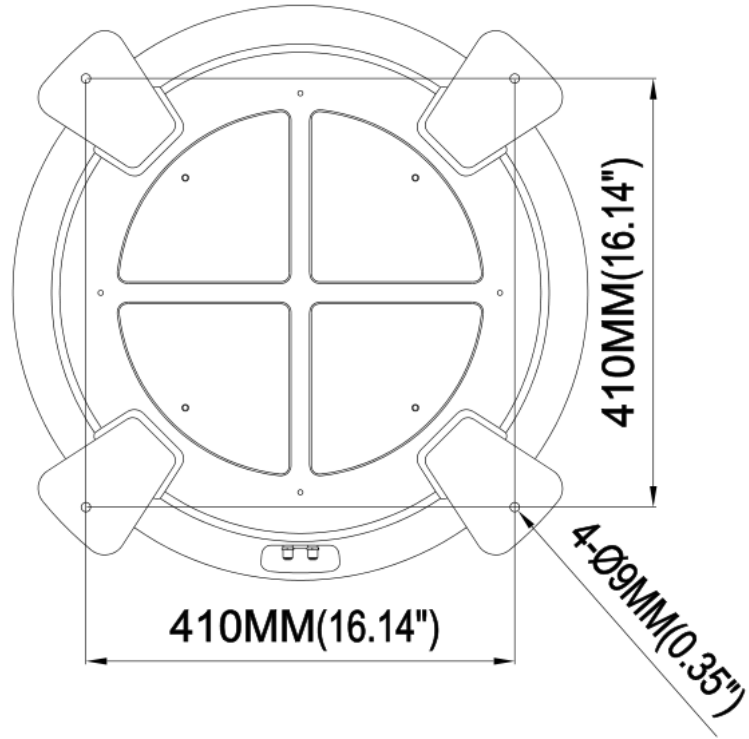


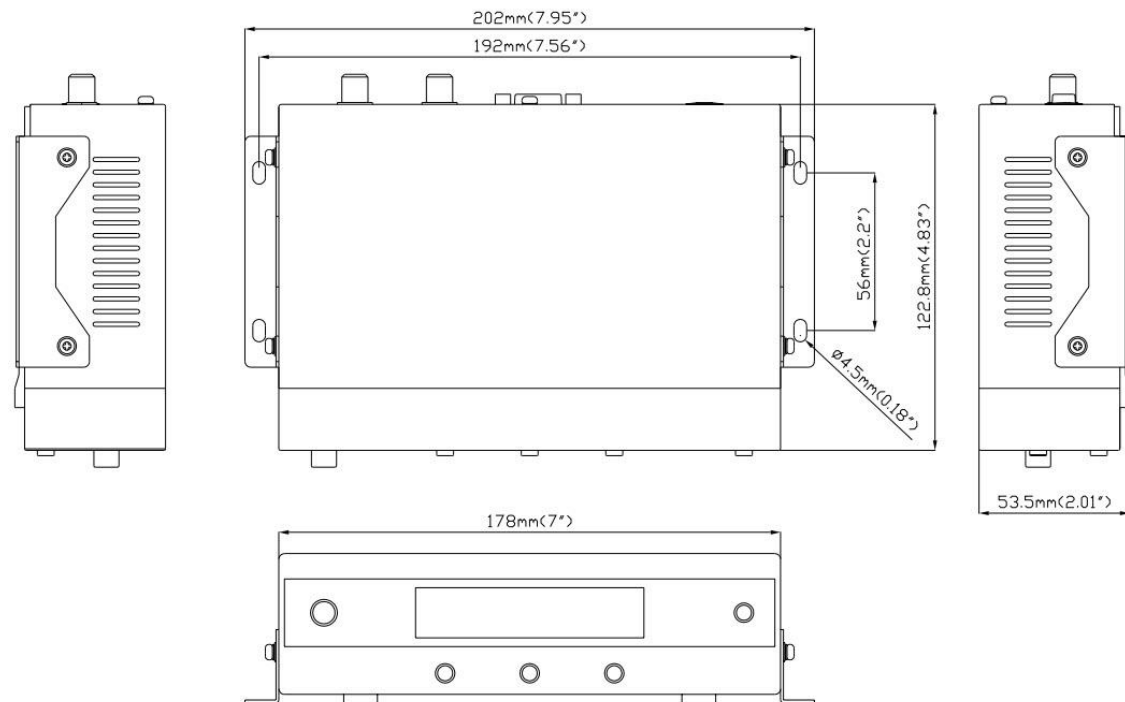


1. Mount the Dome (ODU)



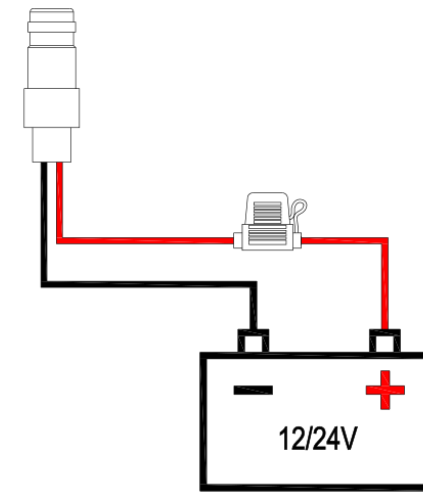
- The Dome requires a clear view of the sky to receive satellite TV, The fewer obstructions, the better the system will perform.
- Drill the mounting holes and cable access hole to prepare the site for installation.

2. Mount the controller (IDU)



- Find a suitable location for the IDU to be mounted.
- Drill the mounting holes prepare the site for installation.

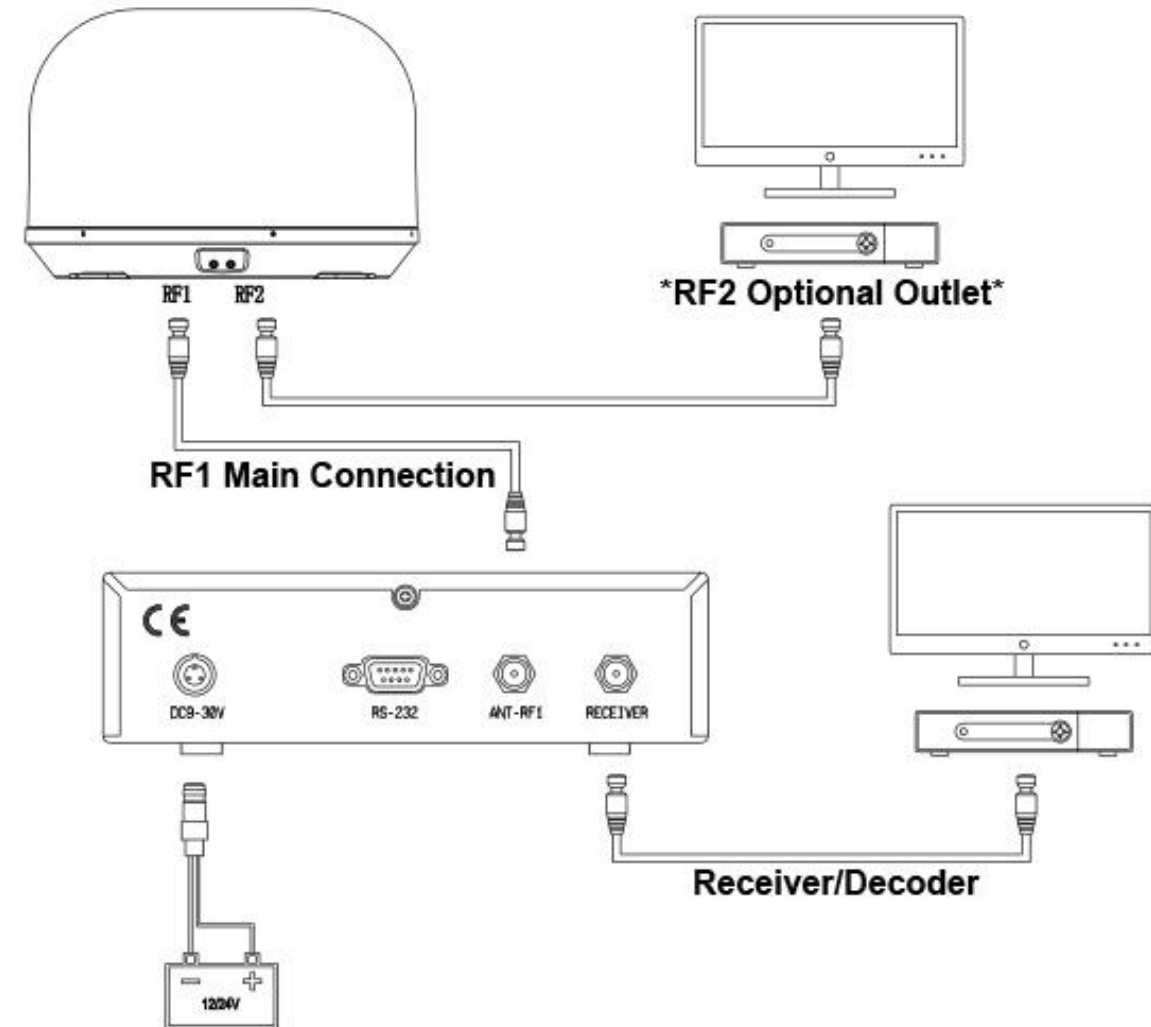
3. Power cable



Red: Positive of battery (+)

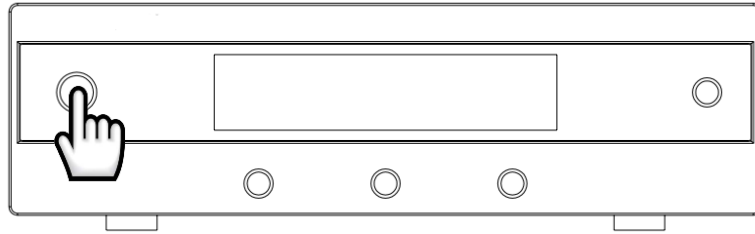
Black: Negative of battery/Ground

4. Wiring Diagram

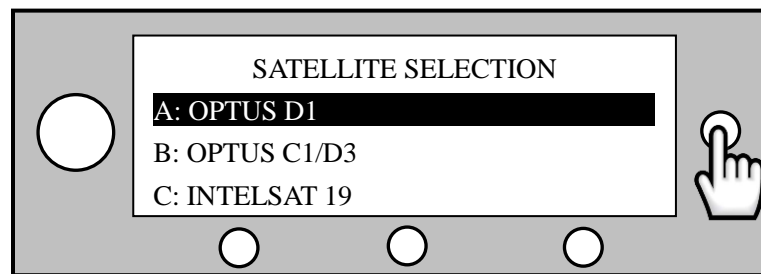




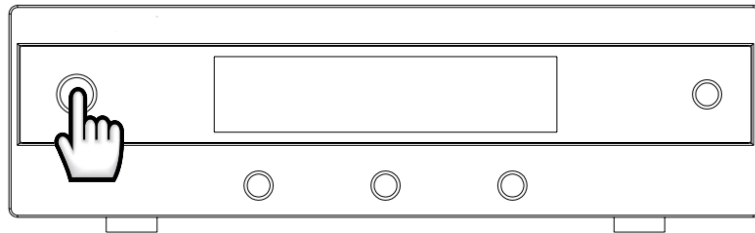
5. Turn ON system



6. One-button to change the target satellite. (Optional, Extra programming required)



7. Turn Off System



- Turn Power ON, The antenna system will automatically search and lock onto the target satellite.

- Press **Function** key to change the target satellite.
- Wait for 3 second, the target satellite will be selected automatically and tracked by the antenna.

- Press **Power** to turn off the system.

